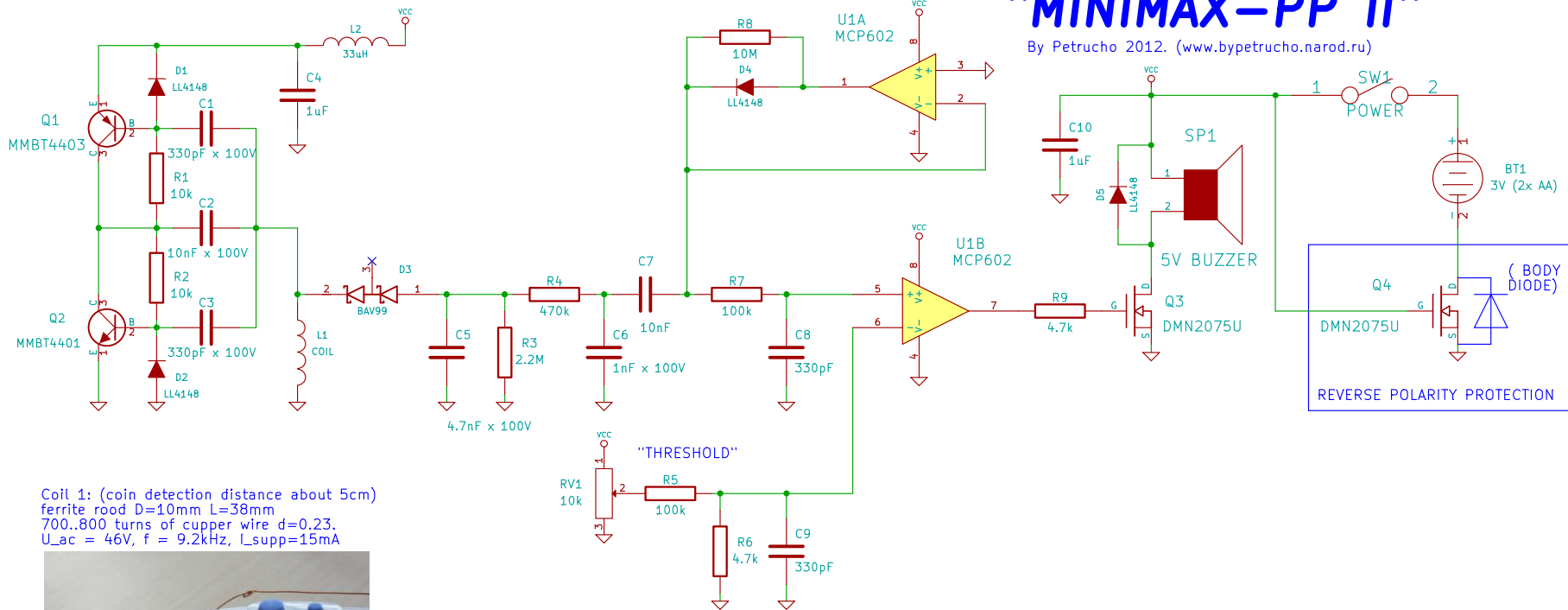


# "MINIMAX-PP II"

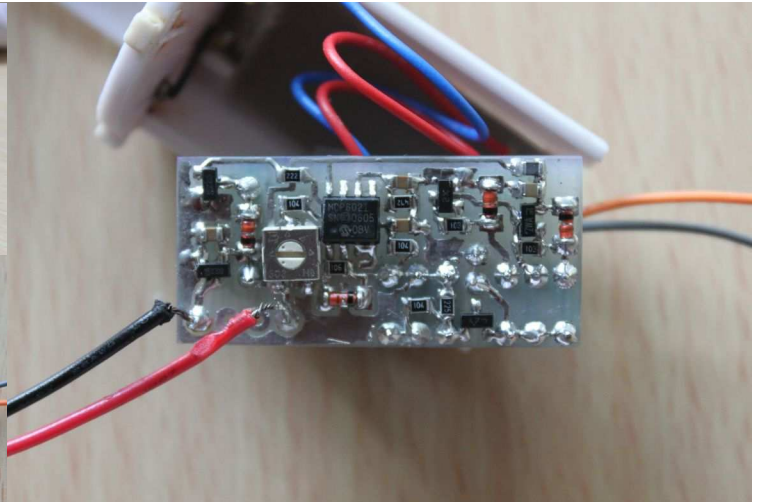
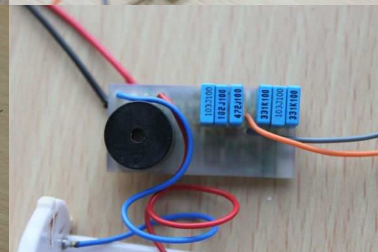
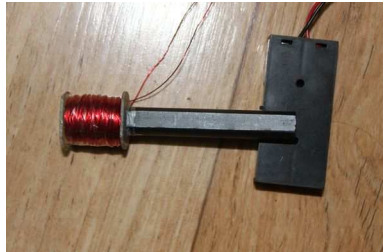
By Petrucho 2012. ([www.bypetrucho.narod.ru](http://www.bypetrucho.narod.ru))



Coil 1: (coin detection distance about 5cm)  
 ferrite rod D=10mm L=38mm  
 700..800 turns of copper wire d=0.23.  
 $U_{ac} = 46V$ ,  $f = 9.2kHz$ ,  $I_{supp}=15mA$

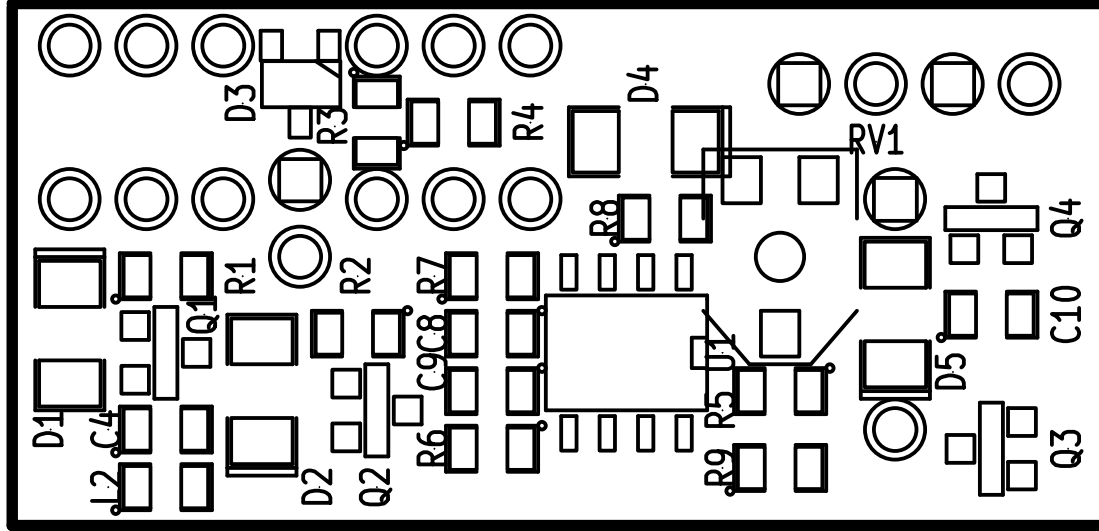


Coil 2: (coin detection distance about 7cm)  
 ferrite rod D=10mm L=80mm  
 400 turns of copper wire d=0.35.  
 $U_{ac} = 38V$ ,  $f = 17.2kHz$ ,  $I_{supp}=19mA$

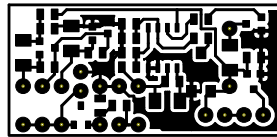


File: MINIMAX-PP-II.sch		
Sheet: /		
Title:		
Size: A4	Date: 4 mar 2012	Rev:
KiCad E.D.A. eschema (2012-01-19 BZR 3256)-stable		Id: 1/1

# TOP ASSEMBLY DRAWING



LUT (MIRRORED)



Verify LUT (NORMAL) 4x SCALE

